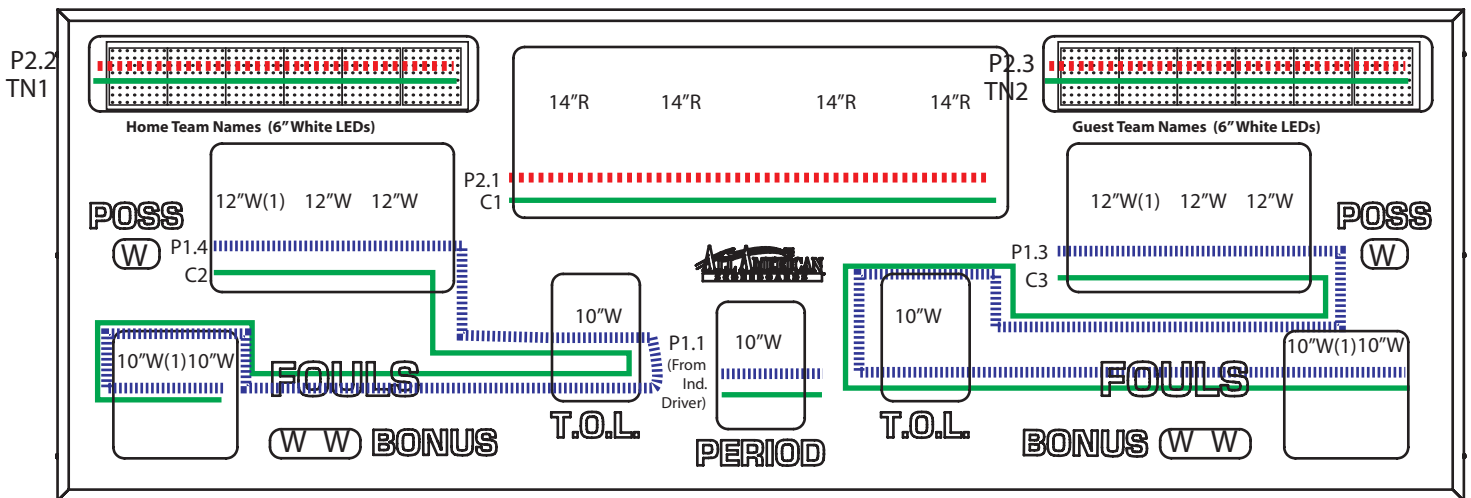


8213TN Basketball Controller Plate

Scoreboard Type: 400



*Note: White 6" Team Name Tiles may be run on either 10.5 VDC or 14.5 VDC

Power Supply Outputs (Full Brightness & Full Digits): **14.5 VDC** P1.1 ≈ 0.92A P1.2 ≈ 3.11A P1.3 ≈ 3.11A P1.4 ≈ N/A
10.5VDC P2.1 ≈ 3.89A P2.2* ≈ 2.4A P2.3* ≈ 2.4A P2.4 ≈ N/A
 (DC NEG from P1 & P2 MUST be tied together)

"C" refers to controller board output. If Indicators are used, C4 data will go to the Indicator Driver Board and then to the digit(s).

— = DATA ■■■■■ = 10.5VDC POWER ■■■■■ = 14.5VDC POWER

115 VAC / 60 Hz - 6.0 Amps

rev. 3.19.14